

## Durgo taps



# Do not drink bath water

*There is always a risk of backflow in the water pipes.*

*When you take a bath, wash the car or water the lawn.*

*In order to protect against contamination of the drinking water, use a backflow protector.*

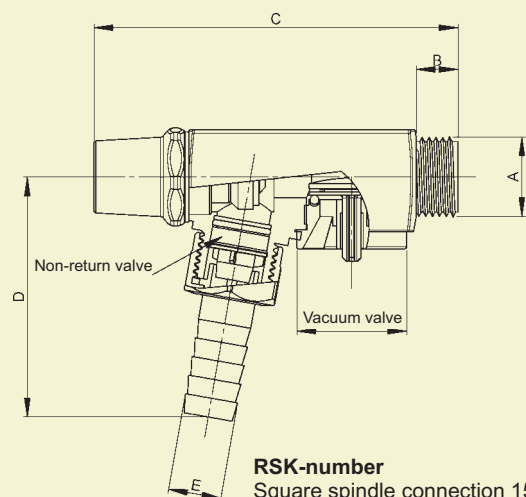
*Durgo has a complete range of taps that eliminate any risk of backflow.*

Water from a general water supply facility is classed as a foodstuff. According to Boverket's (*The Swedish Board of Building, Planning and Housing*) Construction Regulations, drinking water installations should be regulated to ensure that any backflow of contaminated water does not happen. The danger of toxic substances contaminating drinking water is not just present in industry and laboratories. It could quite easily occur when washing your car, watering your garden or other occasions in the home when a hose is connected to a drain cock.

## Tap with a non-return and vacuum valve



Built-in backflow protector. O-ring sealing and Teflon coated disc against adhesion.



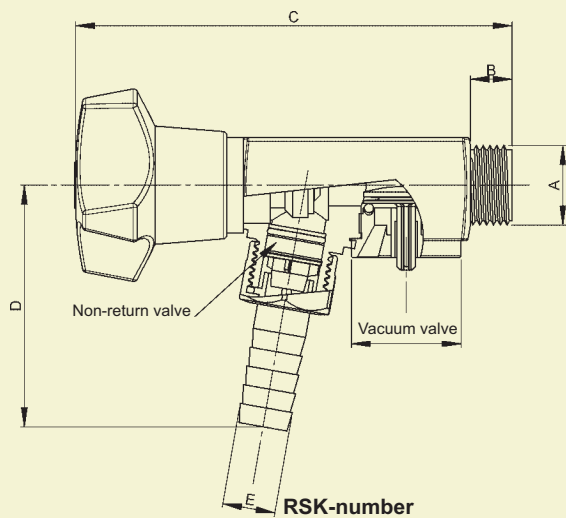
**RSK-number**  
Square spindle connection 15: 847 37 04  
Square spindle connection 20: 847 38 03

Connection	A	B	C	D	E
15	R 1/2"	11 mm	113 mm	65 mm	1/2" - hose
20	R 3/4"	14 mm	120 mm	78 mm	3/4" - hose

## Tap with a non-return and vacuum valve



Built-in backflow protector. O-ring sealing and Teflon coated disc against adhesion.



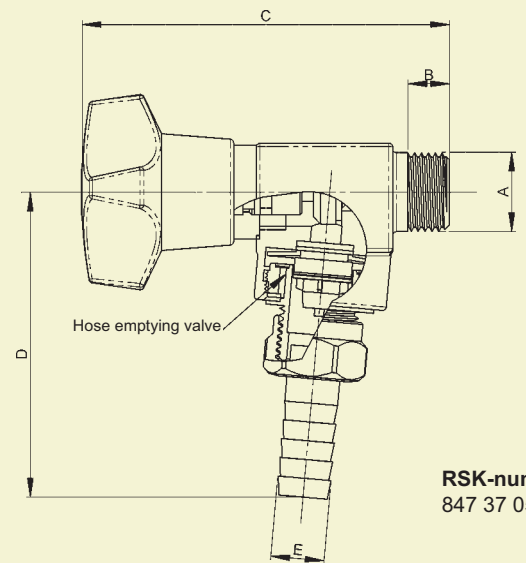
**RSK-number**  
 Plastic knob connection 15: 847 33 08  
 Plastic knob connection 20: 847 35 06

Connection	A	B	C	D	E
15	R 1/2"	11 mm	113 mm	65 mm	1/2" - hose
20	R 3/4"	14 mm	120 mm	78 mm	3/4" - hose

## Tap with a non-return and hose emptying function



Built-in backflow protector. O-ring sealing and Teflon coated disc against adhesion.



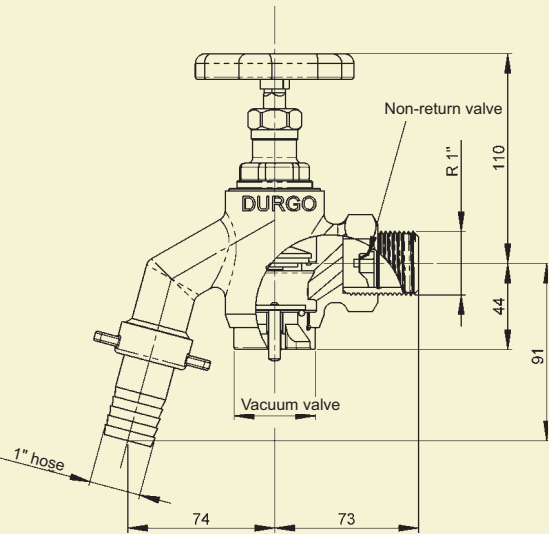
**RSK-number**  
 847 37 05

Connection	A	B	C	D	E
15	R 1/2"	11 mm	93 mm	85 mm	1/2" - hose
15	R 1/2"	11 mm	93 mm	92 mm	3/4" - hose



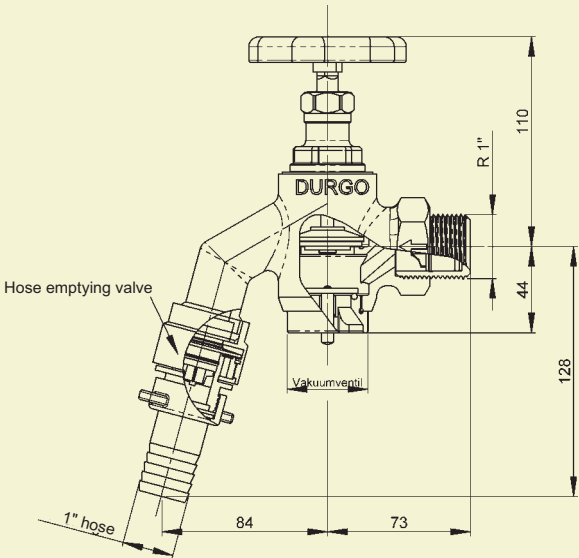
### Tap with a non-return and vacuum valve

Built-in backflow protector. O-ring sealing and Teflon coated disc against adhesion.



### Tap with non-return valves and vacuum valve and hose emptying function

Built-in backflow protector. O-ring sealing and Teflon coated cone against adhesion.

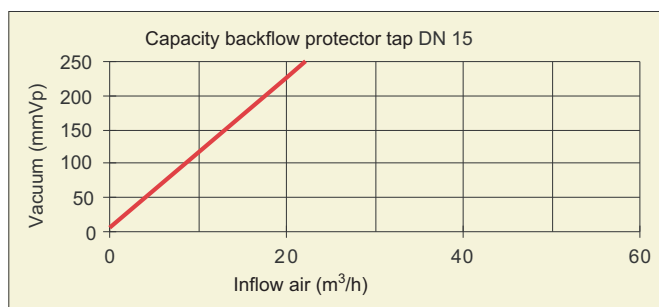
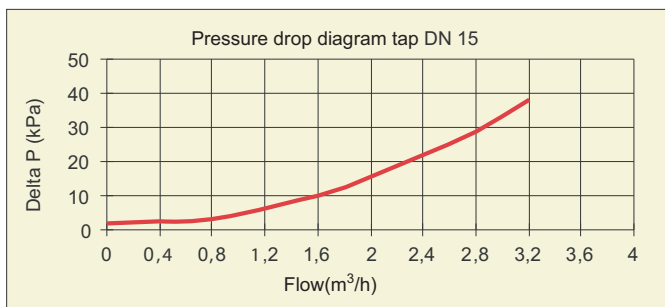


Connection 25

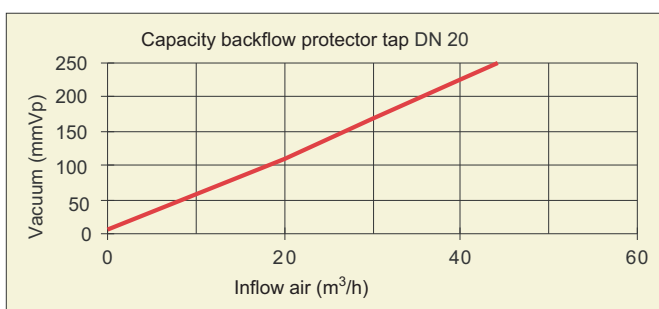
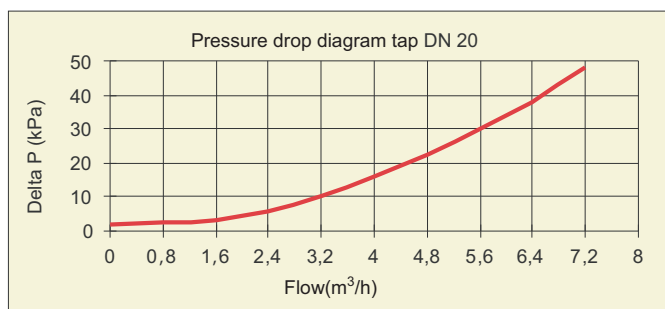
RSK-number 847 38 05

# Pressure drop and backflow capacity

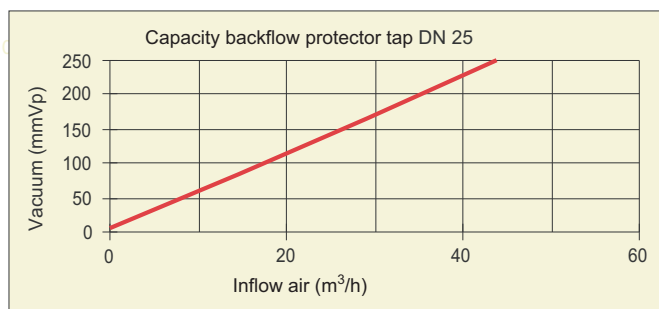
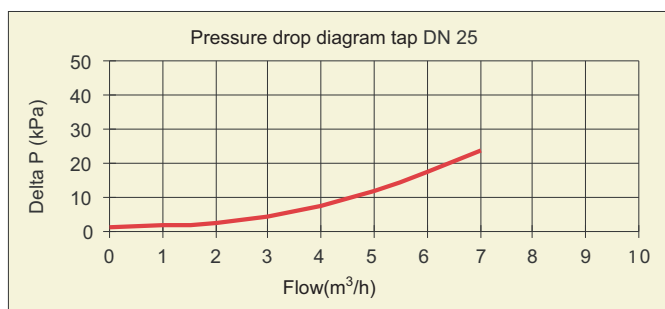
## Dimension 15



## Dimension 20



## Dimension 25



# Durgo - highest quality in every detail



Advanced technical solutions and craftsmanship in production,  
that's what Durgo Quality is all about.  
Thoroughly tested products and continuous research and development  
have resulted in improvements and advancement of value to the  
water and sanitation industry.

Air admittance Valves  
Safety valves  
Taps  
Vacuum valves  
Hose-emptying valves  
Flushing valves  
Special products



Aktiebolaget  
**Durgo** 

Aktiebolaget Durgo  
P.O.Box 3021, SE-169 03 Solna, Sweden.  
Råsundavägen 25, Solna  
Telephone: +46 8 730 52 80. Fax: +46 8 735 69 55  
e-mail: [sales@durgo.se](mailto:sales@durgo.se)  
[www.durgo.se](http://www.durgo.se)