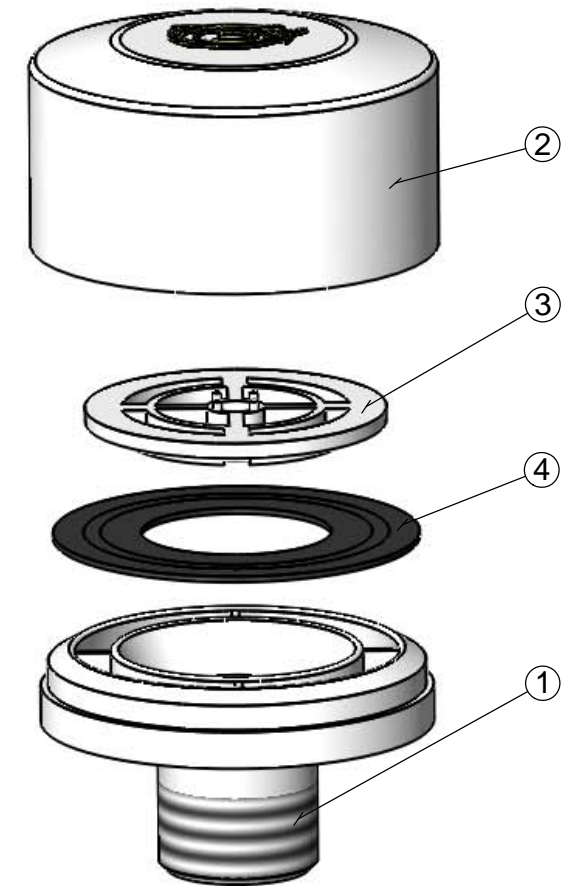
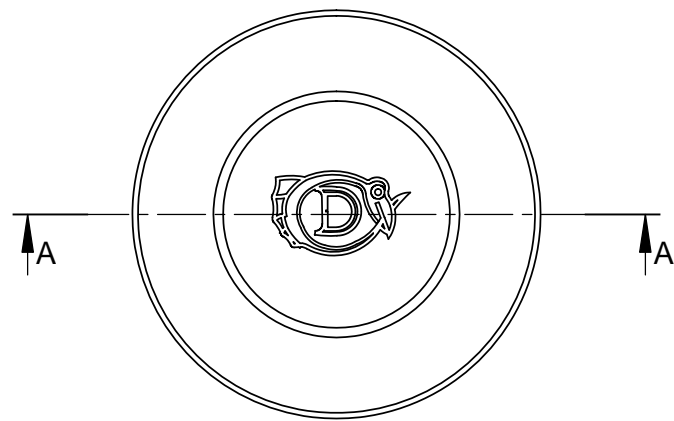
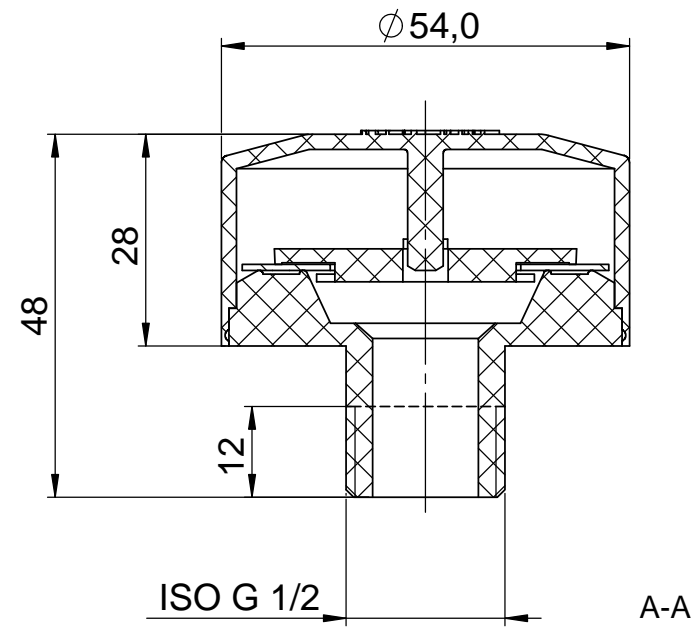



Revisions			
No.	Description	Date	By
1	Drawing sheet and layout updated	2019-01-30	HH



Pos	QTY.	Part/Detail	Material	Dimension	Part number
1	1	Base	ABS	DN15	LV01-15
2	1	Top	ABS	DN15	LV02-15
3	1	Disc	ABS	DN15/32	LV03-15/32
4	1	Seal	EPDM	DN15/32	LV04-15/32

Notes

Weight 27 g


**Air Admittance Valve**  
**DN15 AAV-G15**

Drawn by: HH  
 Date: 2004-03-03  
 Scale: 1:1  
 Drawing no.: LV00-15 r1

①

File no: AAV LV00-15