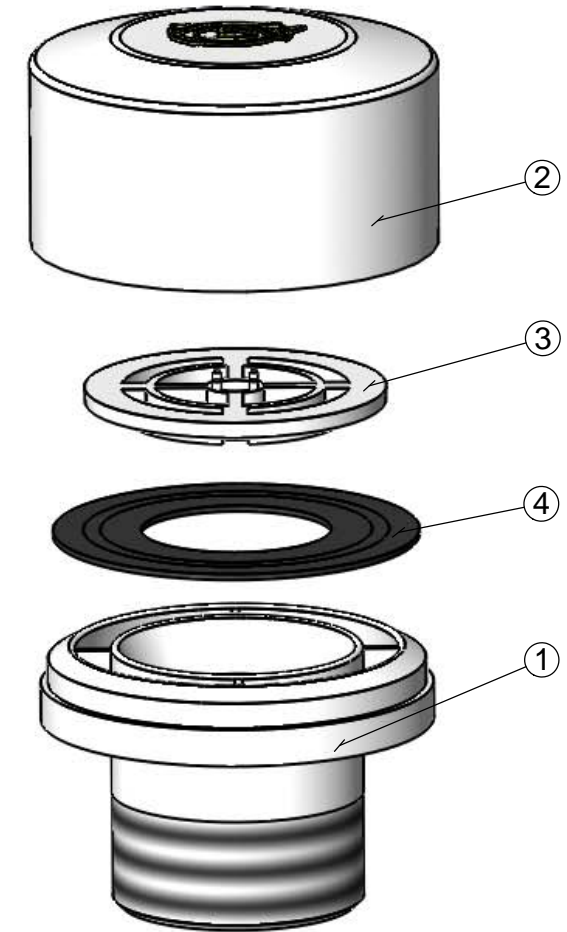
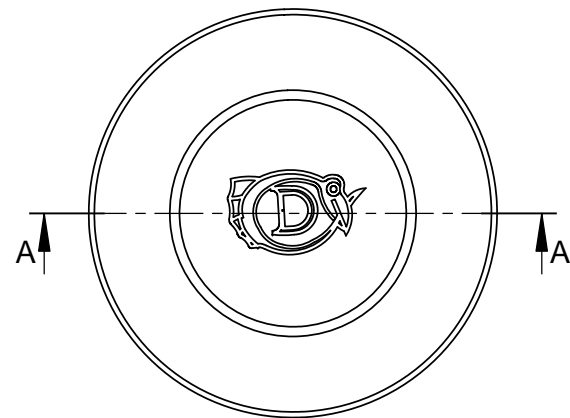
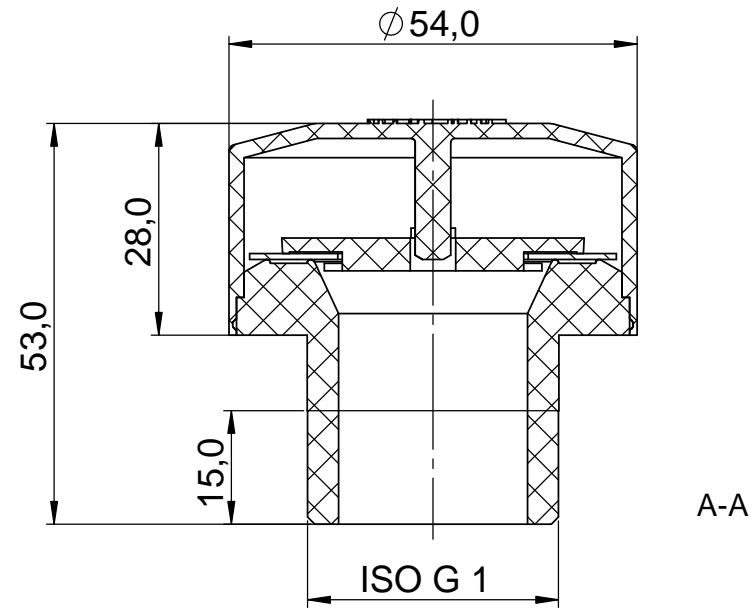


Revisions			
No.	Description	Date	By
1	Drawing sheet and layout updated	2019-01-30	HH



Pos	QTY.	Part/Detail	Material	Dimension	Part number
1	1	Base	ABS	DN25	LV01-25
2	1	Top	ABS	DN25	LV02-25
3	1	Disc	ABS	DN15/32	LV03-15/32
4	1	Seal	EPDM	DN15/32	LV04-15/32

Notes Weight 32 g

	Air Admittance Valve		Drawn by	Date	Scale
	DN25 AAV-G25		HH	2003-02-10	1:1
			Drawing no. LV00-25 r1		

①

Box 3021, SE-169 03 SOLNA, Sweden www.durgo.se
Ph.+46 8 730 5280 Fax+46 8 735 6955 sales@durgo.se

File no: AAV LV00-25