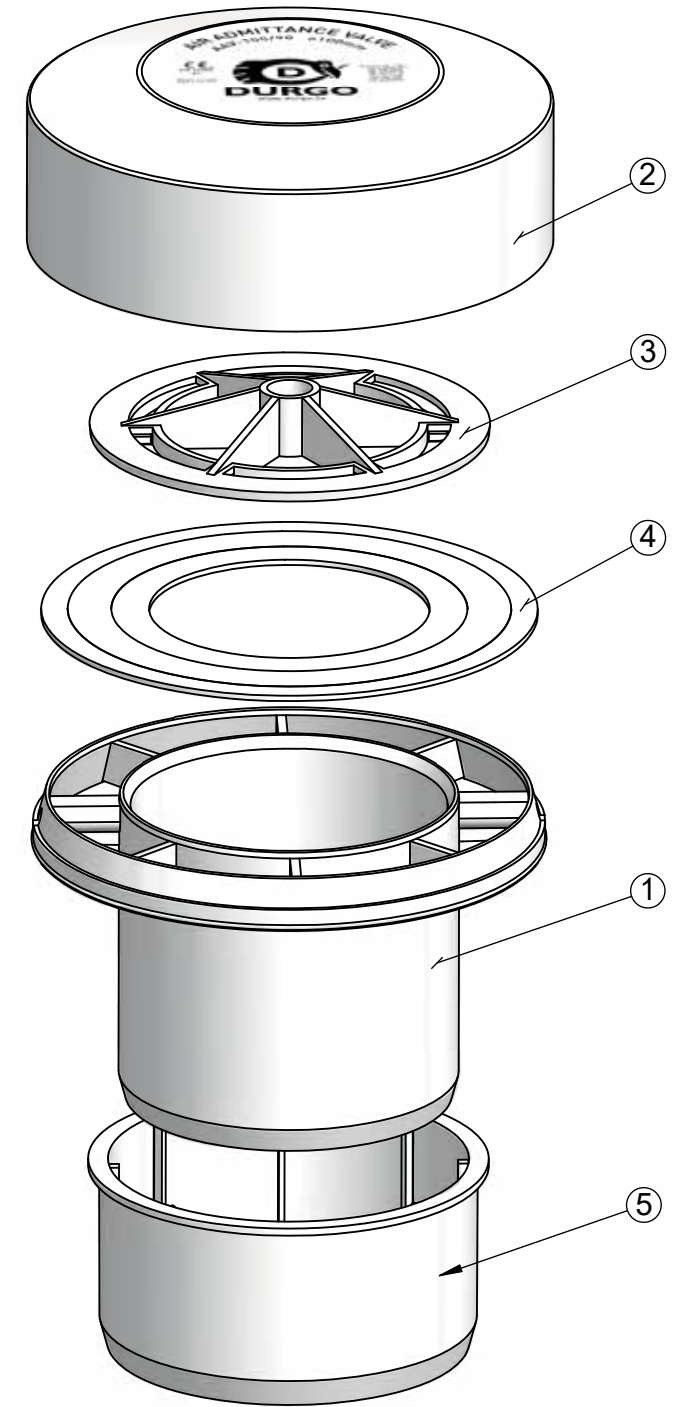
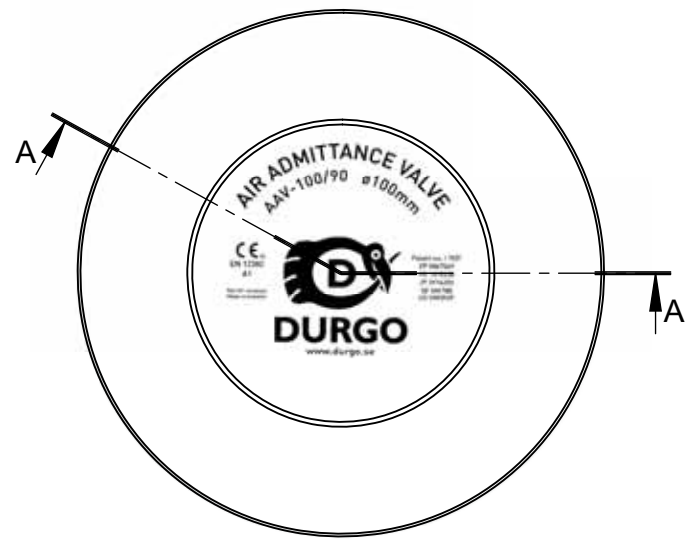


SECTION A-A



Pos	QTY.	Part/Detail	Material	Dimension	Part number
1	1	Base	ABS	DN90	LV01-90
2	1	Top	ABS	DN90	LV02-90
3	1	Disc	ABS	DN90	LV03-90
4	1	Diaphragm	EPDM60	AAV 90/110/JIS75	LV04-90
5	1	Adapter	ABS	DN90/100	LV05-90_100

Notes
ABS body with EPDM sealing

Weight 253 g



Air Admittance Valve

AAV-100/90 Connection ø100mm

Drawn by HH Date 2020-08-20 Scale 1:2

Drawing no. LV00-90/100 r0

Box 3021, SE-169 03 SOLNA, Sweden www.durgo.se
Ph.+46 8 730 5280 Fax+46 8 735 6955 sales@durgo.se

File no. AAV LV05-90